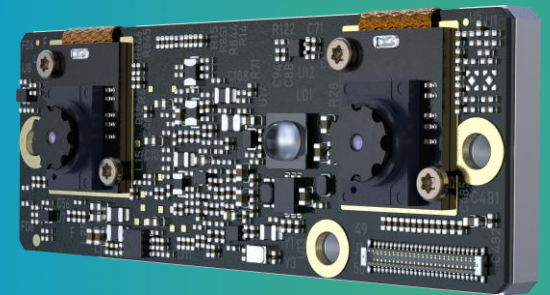


RealSense ID Pro F500 Specifications

Datasheet v1.0



A New Generation of Facial Authentication

The first product in the F500 family is RealSense™ ID Pro F500.

Built on RealSense leadership in vision technology and AI, is ready-to-use, purpose-built biometrics solution that can get you up and running in minutes. Only RealSense ID delivers ISO 30107-3 Presentation Attack Detection Level 2 certification, NIST-verified accuracy at 99.77% for 1:1 verification, and advanced biometrics capabilities like person-detection and tracking in a single, unified platform that's ¼ the size of a business card.

Designed for real-world deployments, it performs reliably across diverse skin tones, heights, and lighting conditions for applications including access control, kiosks, ATMS, and point-of-sale.

Top-Tier Performance

1:1m
False Acceptance Rate

99.87%
True Acceptance Rate

iBeta
Level 2 Certified

<0.1%
Spoof Acceptance Rate

AES-256
Encryption used on all levels

~300 ms
Secure Authentication Time

RealSense ID Pro F500 Module Components

Module	RealSense ID Pro F500
AI Software	Facial Authentication and Anti-Spoofing on-device
Compute	Dedicated SOC with secure element

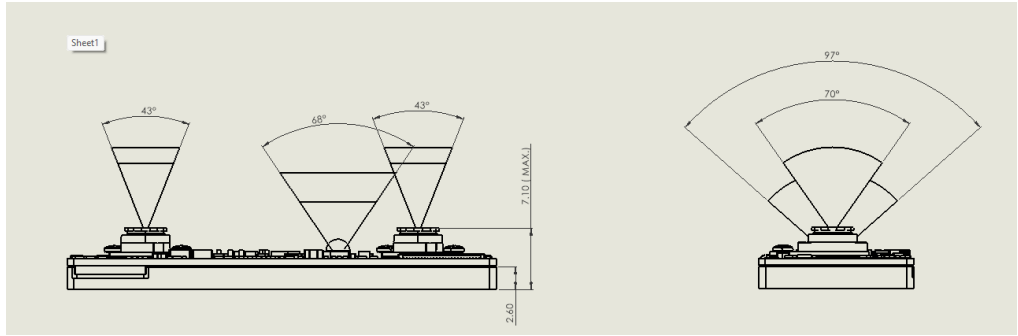


Property	Value
Product Name	RealSense™ ID Pro F500 Module
Product MMID	99D9A5 (label F500A)
Typical Operation Power ⁽¹⁾ (2)	1.5W
Connectors	UART, USB2
Dimensions (Length x Width x Depth)	49.8 mm × 18 mm × 4.4 mm
Storage Temperature (Ambient) not Powered	-30°C - 70°C
Case (Backside PCB) Temperature, Powered ⁽³⁾ (4)	0°C - 55°C
Weight (Nominal)	8.8 gr

- (1) Operation condition is 30 % LED duty cycle at continues successful Facial Authentication runs.
- (2) Max Rating: 5.5Vdc/3.6W
- (3) Although the peak power is up to 3.6W, the RealSense ID Solution F500 module is only expected only expected to dissipate a total of up to 1.5W while the optical system is activated during face during face authentication. This assumes a 30% duty cycle while the illumination components are components are active.
- (4) Powered temperature is average across backside PCB.

Feature	Value	Units
Number of Users	10000	Users
Authentication Range	30 to 150	cm
Anti-Spoofing Range	30 to 130	cm
Ambient Light	0 to 50k	lux

FOV



Component	Value
SOC	System on Chip
Right Camera	Full HD RGB Camera. FOV 43(H) x 70(V)
Left Camera	Full HD All Pass Camera. FOV 43(H) x 70(V)
LED	850nm IR
Flash	1Gb Storage


Performance	Description	Value
Cold Latency	Cold Power Up to Face Authentication Result	< 3s
Warm Latency	Wake Up to Face Authentication Result	< 1.5s
FA Flow	Time to Complete Face Authentication	< 0.3s


Facial Authentication SDK

RealSense ID SDK is open-source, created with the developer in mind. It is designed to plug into your user authentication systems.

The SDK is easy to integrate and backward compatible to the compatible to the RealSense ID product family.

Cloud / Backend Solutions

 **On-premise docker container:** Deployable for customer managed environments.

 **Cloud-based solutions:** Scalable deployments on major cloud providers for hybrid or hybrid or full cloud models.

API Support

Enrollment

UX/UI

Authenticate

Device Management

User Management

Firmware Updates

Programming Interfaces



Supported OSs



Regulatory Compliance



This device complies with part 15 of the FCC Rules. Operation is subject to the following two conditions: (1) This device may not cause harmful interference, and (2) this device must accept any interference received, including interference that may cause undesired operation.

Canada CAN ICES-3 (B)/NMB-3(B)



Japan



This product complies with all applicable European directives.



Australia
Due to the very small size of the product, the marking has been placed in this datasheet.



South Korea
R-R-RSX-
F450

This product has been evaluated in accordance with IEC 62471 'Photobiological Safety of Lamps and Lamp Systems' and is classified as Risk Group RG0.

UK Single Place of Contact:

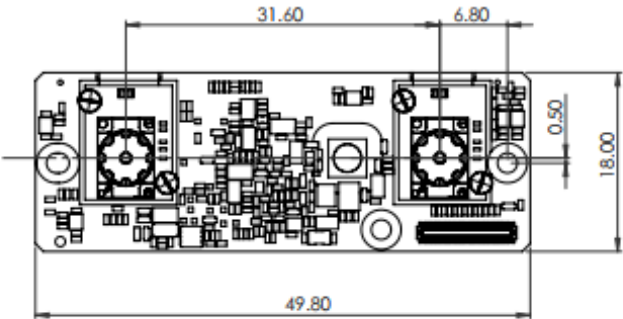
RealSense, Inc.
Attn: Miro Mlejnek
16 Hallsfield
Swindon SN6 6LS
United Kingdom



EU Single Place of Contact:

EaseCert | GPSR Compliance
Wald str. 33, 54413 Damflos, Germany
compliance@easecert.com ;
www.easecert.com
Tel: +49 170 5738 555

Mechanical Drawings



Ecology Compliance

Please refer to [Realsense Regulatory Information – RealSense](#) for Material Declaration Data Sheets (MDDS).
RoHS, WEEE, Türkiye Cumhuriyeti: EEE Yönetmeliğine Uygun



Learn More



realsenseid.com

Software, hardware, and system accuracy varies by use, configuration and other factors. See datasheets for details. All product plans and roadmaps are subject to change without notice. Statements in this document that refer to future plans or expectations are forward-looking statements. These statements are based on current expectations and involve many risks and uncertainties that could cause actual results to differ materially from those expressed or implied in such statements. Results may vary based on future changes to any systems, components, specifications or configurations. RealSense™ and the RealSense™ logo are trademarks of RealSense, Inc. in the U.S. and/or other countries. Other names and brands may be the trademarks or registered trademarks of third parties. INTEL® REALSENSE™, INTEL® and the INTEL® Logo are trademarks of Intel Corporation or its subsidiaries used under license. Certain Intel® RealSense™ products are sold by RealSense, Inc. under license from Intel Corporation.